

GE Healthcare

Typhoon Trio

User's Guide Addendum
Version 5.0 for Microsoft Windows



Important User Information!

All users must read this entire manual to fully understand the safe use of Typhoono Trio.

IMPORTANT! Typhoon Trio is intended for laboratory use only, not for clinical or in vitro use, or for diagnostic purposes.

WARNING!



The WARNING! sign highlights instructions that must be followed to avoid personal injury. It is important not to proceed until all stated conditions are met and clearly understood.

CAUTION!

The CAUTION! sign highlights instructions that must be followed to avoid damage to the product or other equipment. It is important not to proceed until all stated conditions are met and clearly understood.

IMPORTANT!

The IMPORTANT! sign highlights information that is critical for optimal performance of the system.

Note!

The Note sign is used to indicate information important for trouble-free and optimal use of the product.

Recycling



This symbol indicates that the waste of electrical and electronic equipment must not be disposed as unsorted municipal waste and must be collected separately. Please contact an authorized representative of the manufacturer for information concerning the decommissioning of your equipment.

WARNING!

This is a Class A product. In a domestic environment this product may cause radio interference in which case the user may be required to take adequate measures.

WARNING!

All repairs should be done by personnel authorized by GE Healthcare. Do not open any covers or replace any parts unless specifically stated in the instructions.

WARNING!

If liquid is spilled on the equipment, the power supply shall be disconnected immediately.

CE Certification

This product complies with the European directives listed below, by fulfilling corresponding standards.

A copy of the Declaration of Conformity is available on request.

- 73/23/EEC, Low Voltage Directive
- 89/336/EEC, EMC Directive

The CE logo and corresponding declaration of conformity, is valid for the instrument when it is:

- used as a stand-alone unit, or
- connected to other CE-marked GE Healthcare instruments, or
- connected to other products recommended or described in this manual, and
- used in the same state as it was delivered from GE Healthcare except for alterations described in this manual.

Note: *The Declaration of conformity is valid only for systems that are marked with the CE logo:*



Table of contents

Preface

1 Introduction

1.1	Site requirements	12
1.2	System components and optional accessories	12
1.2.1	<i>System components</i>	12
1.2.2	<i>Optional accessories</i>	13
1.3	Scan acquisition modes	13
1.4	Before using the system	13

2 Safety

2.1	Safety overview	15
2.2	Laser light safety	15

3 Fluorescence scanning

3.1	Excitation modes	17
3.2	Emission filters	18
3.3	About the Fluorescence Setup window	19
3.3.1	<i>Displaying the Fluorescence Setup window</i>	19
3.3.2	<i>Selecting the emission filter</i>	20
3.3.3	<i>Selecting the laser</i>	21

4 Troubleshooting

4.1	Recycling	23
-----	-----------------	----

5 Technical Specifications

5.1	Regulatory requirements	25
5.2	Technical data	25

Contents

Preface

About this addendum

The *Typhoon Trio User's Guide Addendum v 5.0* provides an overview of the Typhoon™ Trio and the Typhoon Trio+ model instruments. This addendum describes only the features and functions that differ from the Typhoon instrument models described in the *Typhoon User's Guide v 3.0*. You should use this addendum in conjunction with the user's guide to learn how to operate and maintain the Typhoon Trio or the Typhoon Trio+ system.

Related publications

In addition to the *Typhoon Trio User's Guide Addendum*, *Typhoon User's Guide*, and *Typhoon Installation Instructions*, you should be familiar with the ImageQuant™ TL image analysis software.

Safety

Chapter 2 in this addendum and chapter 2 in the *Typhoon User's Guide* provide important safety information that should be used when operating the Typhoon system. Before using the Typhoon system, read and understand the safety information thoroughly.

Special safety text

Make sure you follow the precautionary statements presented in this guide.



WARNING! Indicates a possibility of severe or fatal injury to the user or other persons if the precautions or instructions are not observed.

CAUTION! Indicates that damage to the instrument, loss of data, or invalid data could occur if the user fails to comply with the advice given.

IMPORTANT! Highlights information that is critical for optimal performance of the system.

Note: *Identifies items of general interest.*

Trained operator



WARNING! The operator of the Typhoon system is assumed to be trained in the correct operation of the system and the safety issues. Throughout the *Typhoon Trio User's Guide Addendum* and the *Typhoon User's Guide*, the word "you" refers to this trained operator.

Assumptions

The software-related instructions in this addendum assume you have basic computer skills. You should be familiar with the Microsoft™ Windows™ graphical user interface. If you do not have these skills, refer to the documentation or the Help for Windows.

Safety standards

Compliance with standards

The declaration of conformity is valid for the instrument only if it is:

- used in laboratory locations
- used in the same state as it was delivered from GE Healthcare except for alterations described in the User Manual
- connected to other CE labelled GE Healthcare modules or other products as recommended.

Safety standards:

This product meets the requirement of the Low Voltage Directive (LVD) 73/23/EEC through the following harmonized standards:

- EN 61010-1
- IEC 61010-1
- CAN/CSA-C22.2 No. 61010-1
- UL61010-1

EMC standards

This device meets the requirements of the EMC Directive 89/336/EEC through the following harmonized standards:

- EN 61326 (emission and immunity)
- EN 55011, GR 2, Class A (emission)

This device complies with part 15 of the FCC rules (emission). Operation is subject to the following two conditions:

1 This device may not cause harmful interference.

2 This device must accept any interference received, including interference that may cause undesired operation.

Asia Pacific Tel +85 65 62751830 Fax +85 65 62751829	Japan Tel 81 3 5331 9336 Fax 81 3 5331 9370
Australasia Tel +61 2 8820 8299 Fax +61 2 8820 8200	Korea Tel 82 2 6201 3700 Fax 82 2 6201 3803
Austria Tel 01 /57606 1613 Fax 01 /57606 1614	Latin America Tel +55 11 3933 7300 Fax +55 11 3933 7304
Belgium Tel 0800 73 890 Fax 02 416 8206	Middle East & Africa Tel +30 210 96 00 687 Fax +30 210 96 00 693
Canada Tel 1 800 463 5800 Fax 1 800 567 1008	Netherlands Tel 0800-82 82 82 1 Fax 0800-82 82 82 4
Central & East Europe Tel +43 1 972 720 Fax +43 1 972 722 750	Norway Tel +47 815 65 777 Fax +47 815 65 666
Denmark Tel +45 70 25 24 50 Fax +45 45 16 2424	Portugal Tel 21 417 7035 Fax 21 417 3184
Eire Tel 1 800 709992 Fax +44 1494 542010	Russia, CIS & NIS Tel +7 495 956 5177 Fax +7 495 956 5176
Finland & Baltics Tel +358 9 512 3940 Fax +358 9 512 39439	Spain Tel 902 11 72 65 Fax 935 94 49 65
France Tel 01 69 35 67 00 Fax 01 69 41 98 77	Sweden Tel 018 612 1900 Fax 018 612 1910
Germany Tel 0800 9080 711 Fax 0800 9080 712	Switzerland Tel 0848 8028 10 Fax 0848 8028 11
Greater China Tel +852 2100 6300 Fax +852 2100 6338	UK Tel 0800 515 313 Fax 0800 616 927
Italy Tel 02 26001 320 Fax 02 26001 399	USA Tel +1 800 526 3593 Fax +1 877 295 8102

Assistance

When calling for assistance, be prepared to supply the serial number of your instrument. For contact by phone or fax, please use one of the numbers below. Alternatively, an updated list of contacts is available on the Web at www.gehealthcare.com.

1 Introduction

The Typhoon Trio instrument is a variable-mode imager that produces digital images of radioactive, fluorescent, or chemiluminescent samples. The Typhoon system consists of an instrument (figure 1-1), instrument control software, and a variety of accessories. The Typhoon instrument is available in several models. This addendum provides an overview of the Typhoon Trio and Typhoon Trio+ models. The Typhoon Trio instrument contains three internal lasers (blue, green, and red). The Typhoon Trio+ is a Typhoon Trio instrument with the additional 10- μm pixel size scanning resolution.

The topics in this chapter are—

- Site requirements (section 1.1)
- System components and optional accessories (section 1.2)
- Scan acquisition modes (section 1.3)
- Before using the system (section 1.4)

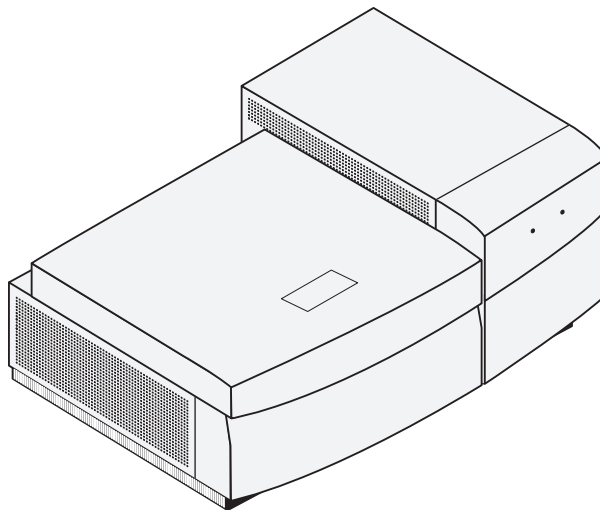


Fig 1-1. The Typhoon Trio instrument.

For a detailed description of how to use the Typhoon Trio system, see the *Typhoon User's Guide*.

1.1 Site requirements

Table 1-1 provides a summary of the Typhoon Trio instrument site requirements. For additional site guidelines, see the *Typhoon Installation Instructions for the Microsoft Windows XP Workstation*.

Table 1-1. Typhoon Trio system instrument specifications

Parameter	Value
Power requirements	100–120 V~, 6 A, 50/60 Hz 220–240 V~, 4 A, 50/60 Hz
Weight	Approximately 160 kg (350 lb)
Dimensions	Width: 118.11 cm (46.5 in) Height: 48.26 cm (19 in) Depth: 77.47 cm (30.5 in)
Temperature	15–30 °C (59–86 °F)
Humidity	Noncondensing 10%–80% relative humidity

1.2 System components and optional accessories

1.2.1 System components

The Typhoon Trio system includes the Typhoon Trio or Typhoon Trio+ instrument, Scanner Control software, Typhoon Direct Instrument Access software, Ethernet™ cables, power cords, and tools. The Typhoon instrument connects to the computer using an Ethernet connection.

The Typhoon Trio instrument contains the following three internal lasers:

- **Blue laser**—A solid-state laser with a specified minimum output of 20 mW at 488 nm in a diverging beam.
- **Green laser**—A green visible laser with a specified minimum output of 20 mW at 532 nm in a diverging beam.
- **Red laser**—A red visible laser with a specified minimum of 10 mW at 633 nm in a diverging beam.

The Scanner Control software, which runs on the Microsoft Windows operating system, contains the graphical interface that allows you to control the instrument. In addition, Internet Explorer is required for the Typhoon Direct Instrument Access software. You use the Typhoon Direct Instrument Access software to perform several maintenance procedures, which are described in the *Typhoon User's Guide*.

1.2.2 Optional accessories

See the *Typhoon User's Guide* for a description of the optional accessories for the storage phosphor and fluorescence scanning modes. In addition, the Typhoon multislide tray is available for the Typhoon Trio+ instrument. The multislide tray allows you to scan up to 30 microarray slides at a time. See the *Typhoon Multislide User's Guide* for a description of how to use the multislide tray.

1.3 Scan acquisition modes

You can scan samples on the Typhoon Trio or Typhoon Trio+ instrument using the following scan acquisition modes:

- **Storage phosphor mode**—Creates images from samples labelled with radioisotopes using storage phosphor technology.
- **Fluorescence mode**—Creates images from samples labelled with fluorescent dyes. For details on the available excitation modes, see chapter 3.
- **Chemiluminescence mode**—Creates images from chemiluminescent samples.

1.4 Before using the system

Before using the Typhoon Trio system, you should become familiar with—

- **Safety information**—It is imperative that you follow the precautions in this addendum and in the *Typhoon User's Guide*, chapter 2.
- **Basic operational instructions**—See the *Typhoon User's Guide*.
- **Maintenance information for the instrument and accessories**—See the *Typhoon User's Guide*.

1 Introduction

1.4 Before using the system

2 Safety



WARNING! The operator of the Typhoon system is assumed to be trained in the correct operation of the system and the safety issues. Throughout the *Typhoon User's Guide* and this addendum, the word "you" refers to this trained operator. Using controls, making adjustments, or performing procedures other than those specified in the *Typhoon User's Guide* or this addendum can result in hazardous exposure to laser light, high voltage, or moving parts. Exposure to these hazards can cause severe injury or death.

2.1 Safety overview

Make sure you understand and follow the safety precautions in the *Typhoon User's Guide*, including—

- General safety precautions
- Typhoon serial numbers and safety labels
- Electrical safety
- Pinching and general warnings
- Hazardous materials precautions

See section 2.2 of this addendum for laser light safety.

2.2 Laser light safety

The Typhoon Trio instrument is a Class I laser instrument that houses three Class IIIB lasers: blue, green, and red. Under the specified operating procedures, the instrument does not allow operator exposure to laser light. However, the lasers are accessible in the interior of the instrument. The blue laser has a specified maximum output of 27 mW at 488 nm in a diverging beam. The green laser has a specified maximum output of 25 mW at 532 nm in a diverging beam. The red laser has a specified maximum output of 13 mW at 633 nm in a diverging beam.

The safety interlocks in the Typhoon instrument are designed to prevent you from being exposed to the laser beams. If you open the sample lid while the scanner is in operation, the laser shutter closes and blocks the light from the lasers.

2 Safety
2.2 Laser light safety



WARNING! Do not attempt to defeat the safety interlocks on the sample lid or try to gain access to the interior of the instrument through any other opening. Exposure to laser light can cause injury. For example, viewing the laser light directly can cause blindness.

The labels shown in figure 2-1 are affixed to the instrument and warn of exposure to laser light.

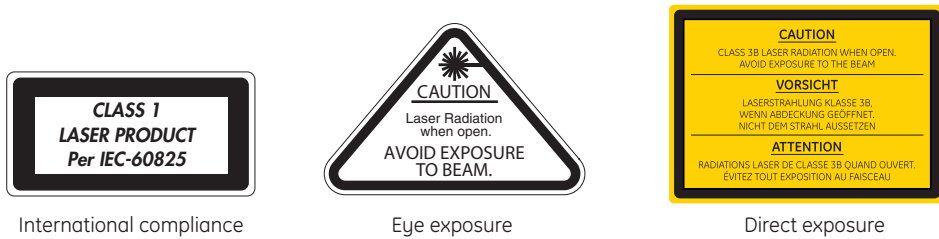


Fig 2-1. Laser-light warning labels.

3 Fluorescence scanning

This chapter describes the emission filters and the fluorescence setup for the Typhoon Trio and Typhoon Trio+ instruments. The topics are—

- Excitation modes (section 3.1)
- Emission filters (section 3.2)
- About the Fluorescence Setup window (section 3.3)

See the *Typhoon User's Guide* for details on the following:

- About fluorescence scanning (including how fluorescence works, beamsplitters, linking fluorescent scans, multilabel experiments, and common fluorochromes)
- Setting up for fluorescence scanning (including preparing and placing the sample in the instrument)
- Scanning a fluorescent sample (including checking the instrument state, selecting the scan parameters, selecting the fluorescence parameters, removing the sample from the instrument, cleaning the glass platen and sample lid, and analysing or preprocessing the scanned image)

3.1 Excitation modes

The available excitation modes for fluorescence scanning are—

- **Red-excited mode**—Creates an image from a sample labelled or stained with a fluorescent dye or from a chemifluorescence sample that is excited at 633 nm.
- **Green-excited mode**—Creates an image from a sample labelled or stained with a fluorescent dye or a from chemifluorescence sample that is excited at 532 nm.
- **Blue-excited modes**—
 - **Blue (488)**—Creates an image from a sample labelled or stained with a fluorescent dye or from a chemifluorescence sample that is excited at 488 nm using full laser power. This mode is recommended for samples that have low background levels.
 - **ECL+ Excitation**—Creates an image from a sample labelled or stained with a fluorescent dye or from a chemifluorescence sample that is

3 Fluorescence scanning

3.2 Emission filters

excited at 488 nm using reduced laser power. This mode provides the optimum excitation for ECL Plus™ chemifluorescence blot samples and for samples with high background levels that can be excited at a lower laser power.

- **Multilabel-excited mode**—Creates an image from a sample labelled with up to four fluorescent dyes. The dyes can be excited by one or more of the four laser choices.

3.2 Emission filters

The Typhoon instrument contains a standard set of emission filters and can accommodate a total of 13 emission filters. The instrument uses emission filters to reject reflected and scattered excitation light and background fluorescence while allowing the emitted light from the sample to pass through to the PMT. Table 3-1 lists the standard set of emission filters used with fluorescence scanning.

Table 3-1. Standard set of emission filters for the Typhoon Trio and Typhoon Trio+ instruments

Emission filter	Description
520-nm band-pass filter (520 BP 40)	Transmits light between 500 nm and 540 nm and has a transmission peak centered at 520 nm. Use this filter with fluorochromes, such as Cy™2, ECL Plus, and fluorescein.
555-nm band-pass filter (555 BP 20)	Transmits light between 545 nm and 565 nm and has a transmission peak centered at 555 nm. Use this filter with fluorochromes, such as R6G and HEX™.
580-nm band-pass filter (580 BP 30)	Transmits light between 565 nm and 595 nm and has a transmission peak centered at 580 nm. Use this filter with fluorochromes, such as TAMRA™ and Cy3.
610-nm band-pass filter (610 BP 30)	Transmits light between 595 nm and 625 nm and has a transmission peak centered at 610 nm. Use this filter with fluorochromes, such as Deep Purple™ total protein stain, ROX™, EtBr, SYPRO™ Red, and SYPRO Ruby.
670-nm band-pass filter (670 BP 30)	Transmits light between 655 nm and 685 nm and has a transmission peak centered at 670 nm. Use this filter with fluorochromes, such as Cy5.
526-nm short-pass filter (526 SP)	Transmits light below 526 nm. Using this filter with some applications, such as ECF™ blotting, can reduce the background level.
390-nm band-pass filter (390 BP 100)	This filter is used for storage phosphor scanning and is not normally used for fluorescence scanning.

Optional emission filters are available from GE Healthcare and must be installed by qualified service personnel.

3.3 About the Fluorescence Setup window

See the *Typhoon User's Guide* for details on how to start the Scanner Control software and set the scan parameters in the Scanner Control window.

You use the Fluorescence Setup window in Scanner Control to select the fluorescence parameters to use with the sample. You can select from one through four sets of parameters to perform one through four scans. This section describes the Emission Filter list and the Laser list in the Fluorescence Setup window for the Typhoon Trio and Typhoon Trio+ instruments. For a description of how to set the PMT and sensitivity and how to link scans, see the *Typhoon User's Guide*.

3.3.1 Displaying the Fluorescence Setup window

In the **Acquisition Mode** area of the Typhoon Scanner Control window (figure 3-1), select **Fluorescence**, and then click **Setup**. The Fluorescence Setup window appears (figure 3-2).

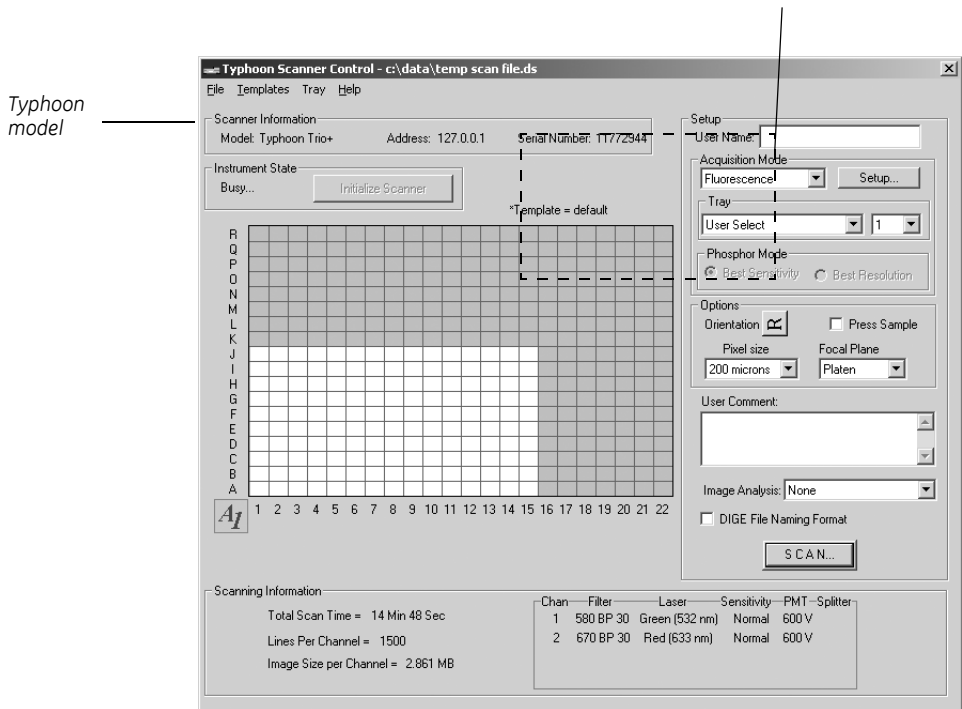


Fig 3-1. Typhoon Trio Scanner Control window.

3 Fluorescence scanning

3.3 About the Fluorescence Setup window

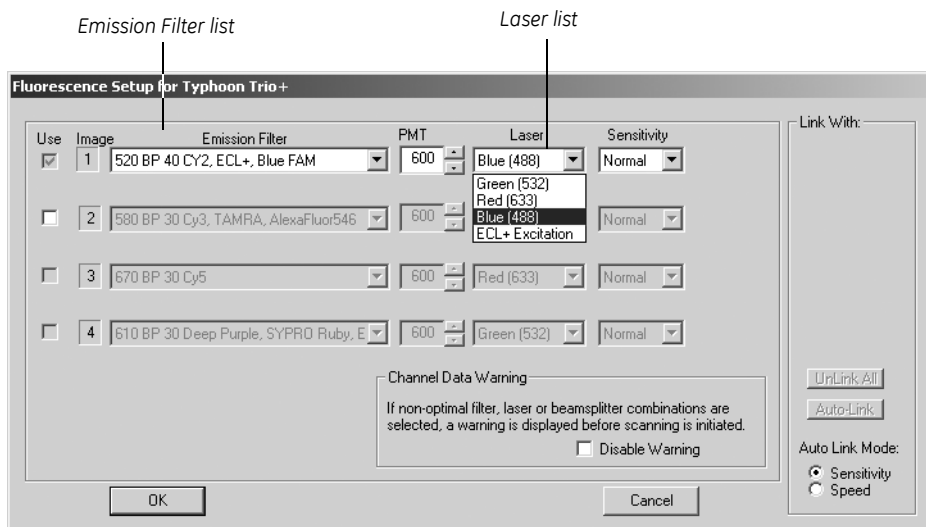


Fig 3-2. The Fluorescence Setup window for the Typhoon Trio+ instrument.

3.3.2 Selecting the emission filter

You select an emission filter from the **Emission Filter** list for each scan you want to perform. The Emission Filter list displays the filters (table 3-1) that are installed in the Typhoon Trio instrument. If you do not want to use an emission filter, select None from the list.

IMPORTANT! The laser and emission filter combinations listed in the Fluorescence Setup window are based on the excitation and emission maxima of the selected fluorochrome. For most gel microplate and array samples, these combinations provide the best scanning results. However, for membrane samples, selecting a laser and emission filter combination that is close to the excitation and emission maxima might not provide the best results because of the high background interference. For the best results, you should test the membrane samples with different laser and emission filter combinations to determine the optimal combination.

3.3.3 Selecting the laser

When you select a filter, Scanner Control automatically selects a default laser to use with the emission filter you selected. However, if desired, you can select a laser other than the default. If you select a laser other than the default and then click OK, a message appears and asks you to confirm the selection. The Typhoon Trio laser choices are—

- Green (532)
- Red (633)
- Blue (488)
- ECL+ Excitation

The laser power varies from one wavelength to another. You might need to adjust the PMT voltage accordingly. For a description of the laser excitation modes, see section 3.1.

3 Fluorescence scanning

3.3 About the Fluorescence Setup window

4 Troubleshooting

For basic troubleshooting guidelines, see the troubleshooting section of the *Typhoon User's Guide*. In addition to the guidelines presented in the *Typhoon User's Guide*, the following error message appears if the Typhoon Trio instrument has a problem communicating with the internal blue laser:

Failed Communication with Internal Laser Unit

If this message appears, turn off the power switch on the right side of the Typhoon instrument, wait a few seconds, and then turn the instrument back on. If the error happens repeatedly, contact Technical Support. See Assistance in the preface for contact information.

4.1 Recycling



This symbol indicates that the waste of electrical and electronic equipment must not be disposed as unsorted municipal waste and must be collected separately. Please contact an authorized representative of the manufacturer for information concerning the decommissioning of your equipment.

4 Troubleshooting

4.1 Recycling

5 Technical Specifications

5.1 Regulatory requirements

Safety standards

This product meets the requirements of the Low Voltage Directive (LVD) 73/23/EEC through the following harmonized standards:

- EN 61010-1
- IEC 61010-1
- CAN/CSA-C22.2 No. 61010

EMC Standards

This device meets the requirements of the EMC directive 89/336/EEC through the following harmonized standards:

- EN 61326 (emission and immunity)
- EN 55011, GR 2, class A (emission)

This device complies with part 15 of the FCC rules (emission). Operation is subject to the following conditions:

1. This device may not cause harmful interference.
2. This device must accept any interference received, including interference that may cause undesired operation.

5.2 Technical data

Operating temperature	4°C to 40°C
Relative humidity	Less than 80% from 4°C to 31°C, decreasing linearly to 50% from 31 to 40 °C
Voltage	100-240 V~
Max. Current	6,3 A
Frequency	50-60Hz
Dimensions (h x w x d)	480 x 300 x 780 mm
Weight, maximum	160 kg (350 lbs)
Fuse	T 6,3 AL , 250V

For contact information for your local office,
please visit: www.gelifesciences.com/contact

GE Healthcare Bio-Sciences AB
Björkgatan 30
751 84 Uppsala
Sweden

www.gelifesciences.com

Cy, DeCyder, Deep Purple, ECF, ECL Plus, ImageQuant and Typhoon are trademarks of GE Healthcare companies. GE, imagination at work and GE monogram are trademarks of General Electric Company.

All third party trademarks are the property of their respective owners.*

All goods and services are sold subject to the terms and conditions of sale of the company within GE Healthcare which supplies them. A copy of these terms and conditions is available on request. Contact your local GE Healthcare representative for the most current information.

© 2004-2008 General Electric Company - All rights reserved.
First published September, 2004.

GE Healthcare Bio-Sciences AB, a General Electric Company.

GE Healthcare Europe GmbH
Munzinger Strasse 5,
D-79111 Freiburg,
Germany

GE Healthcare UK Ltd
Amersham Place,
Little Chalfont,
Buckinghamshire, HP7 9NA,
UK

GE Healthcare Bio-Sciences Corp
800 Centennial Avenue,
P.O. Box 1327, Piscataway,
NJ 08855-1327,
USA

GE Healthcare Bio-Sciences KK
Sanken Bldg. 3-25-1,
Hyakunincho, Shinjuku-ku,
Tokyo 169-0073,
Japan



imagination at work